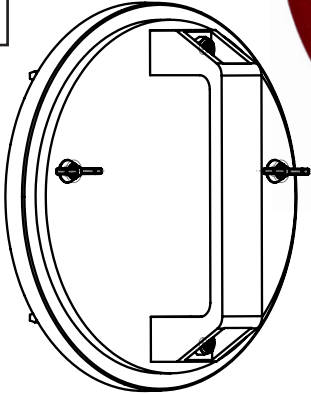
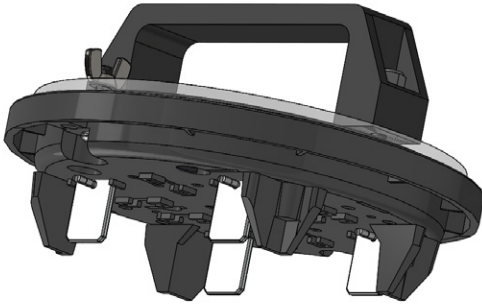


Single Phase Socket Tester

Also Available As OEM Products

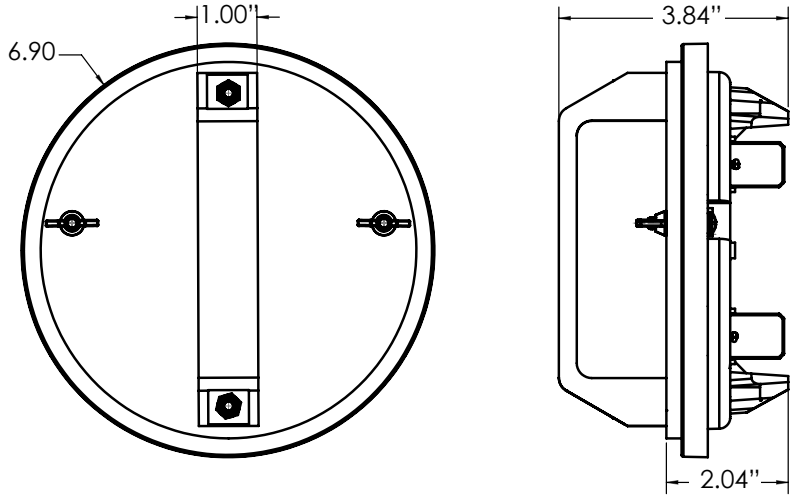
Specification & Features

120/240 Volt *
UV Stabilized Plastic
Flame Rating: 5VA/V-0 (Grey), HB (colors)
Polycarbonate (Fiberglass Reinforced Grey)
Sturdy Handle for Easy Installation & Removal
4 Jaw Design - 2S & 12S Meter Forms
2 Spare Fuses Provided Inside Device



The AE Products Single Phase Socket Tester detects short circuits, backfeed and wiring errors in a 120/240 Volt, 3-wire, single phase, self-contained socket. This unit is equipped with high intensity power and fault lights to indicate whether or not the meter is safe to install. The heavy duty handle allows for quick and easy installation.

Dimensions



(Diagrams are not to scale)

Model Number	Description
AES-120-02S-08/01	Single Phase Socket Tester comes standard with red base and gray handle

Other color options available for base and handle. Contact factory with inquiries.
 *See also Polyphase Socket Tester and Polyphase 600 Socket Tester for additional voltages.