

WARNINGS

THIS UNIT IS NOT INTENDED FOR USE IN AN APPLICATION WHERE DOWNSTREAM (LOAD) IS REQUIRED. (CONTACT FACTORY FOR CORRECT UNIT)

THIS UNIT DOES NOT PROVIDE POWER TO THE LOAD SIDE OF THE METER SOCKET

AVOID USE WHILE RAINING AND/OR WET CONDITIONS ARE PRESENT

WEAR ALL PROPER PROTECTIVE EQUIPMENT WHILE USING THIS DEVICE

DO NOT EXPOSE TO DIRECT WATER SPRAY

NOT FOR USE IN EXPLOSIVE ENVIRONMENTS

ONLY FOR USE WITH PROPER PLUGS

DANGER

HAZARD OF ELECTRIC SHOCK, EXPLOSION OR ARC FLASH

Thoroughly read and comprehend all instructions before commencing installation. Failure to follow these instructions could result in damage to the electrical system(s) or related equipment.

This equipment must be installed by qualified electrical personnel in accordance with all applicable codes which supersede these instructions. Improper installation or misapplication of these devices may result in death or serious injury. Use appropriate Personal Protective Equipment (PPE) and follow safe electrical work practices. See NFPA 70E.

CAUTION

HAZARD OF ELECTRIC SHOCK, EXPLOSION OR ARC FLASH

Never install this unit if it has fallen, has been dropped or looks damaged in any way. Return device to factory for diagnostic testing.

WARNING

HAZARD OF EQUIPMENT DAMAGE

This device does not contain user serviceable parts. Do NOT attempt to test this device, damage may occur. Any alterations, tampering, misuse or unauthorized repairs of this product will void its original factory warranty. Never install on an ungrounded system.

IF A BREAKER IS TRIPPED

**Breaker will only trip half way.

Determine the cause of the breaker trip.

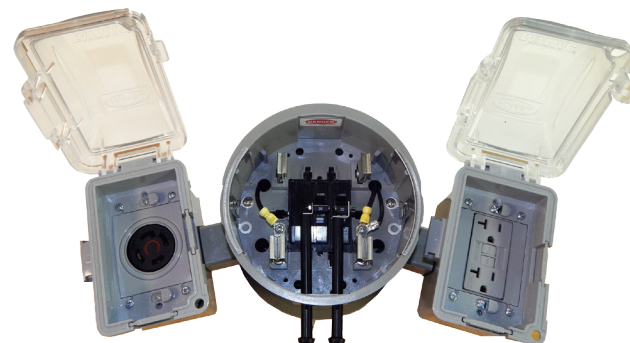
Pull the breaker handle down completely and then push the handle back up to re-engage the breaker.

EXTENTION CORDS

When using extension cords, make sure to follow all manufacturer instructions and safety precautions.

Temporary Power Outlet (IS) (NO LOAD SIDE CONNECTION)

USER MANUAL AND INSTALLATION GUIDE



To Provide Temporary Outlets for Temporary Electrical Service

Hurricane Restore

Storm Outages

Fire Damage

Motor Homes

Travel Trailers

Marine Shore Power

Construction Sites

Solar Pump Stations

AE PRODUCTS IS NOT RESPONSIBLE FOR ANY
CONSEQUENTIAL OR EXTENDED DAMAGES

IF UNIT(S) ARE RECEIVED DAMAGED,
NOTIFY THE SHIPPING COMPANY
IMMEDIATELY. RETAIN ALL SHIPPING
CONTAINERS AND PACKING MATERIALS FOR
INSPECTION.

Please Note:
There are no user serviceable parts inside.



AE Products, Inc.

1349 South Killian Drive • Lake Park, FL 33403

Phone: 561.848.7756 • Fax: 561.848.2372

Email: sales@aeproducts.net

Website: www.aeproducts.net

RING STYLE 200 AMP INSTALLATION

FOR USE WITH 2S METER SOCKETS ONLY

DANGER, THERE IS LETHAL VOLTAGE INSIDE THE METER-CAN EVEN WITH THE METER REMOVED!!!!

1. While wearing appropriate PPE, remove the meter and meter cover and inspect the neutral/ground bond inside the meter-socket. Correct any problems before proceeding. Good grounding is important.
2. This unit is provided with a neutral/ground wire (white) that is equipped with a sliding connector for easier and safer installation. Disconnect the sliding connector and attach the loose wire to the neutral/ground bond inside the meter-socket. Then reinstall the meter cover and feed the neutral/ground wire through the cover.

ENSURE THAT THE WHITE NEUTRAL/GROUND WIRE DOES NOT MAKE CONTACT WITH EITHER LEG OF SERVICE.

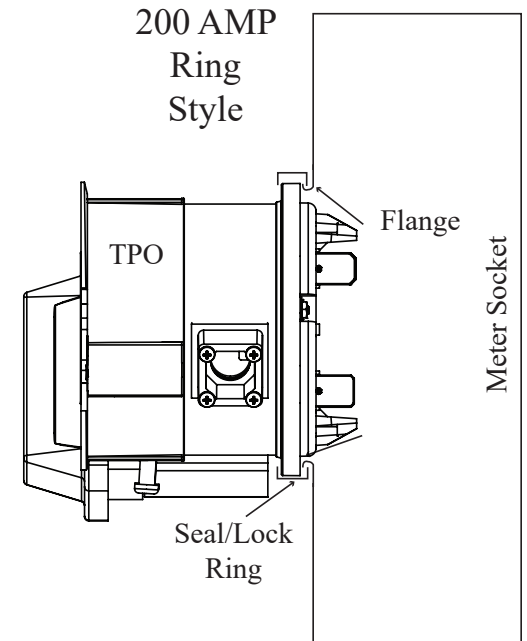
NEUTRAL/GROUND WIRE SHOULD BE ATTACHED SO THAT IT WILL LOOP DOWN IN THE METER-SOCKET.

3. Re-connect the neutral/ground wire from the meter socket to the TPO device first. Then, insert the TPO into the meter socket and use a locking/sealing ring to secure the device to the meter-can. **(It is recommended that a service cutoff cap (sold separately) be installed over the face of the TPO as a precaution during the insertion of the device into the socket.)**

NEVER PRY OPEN, GREASE OR ALTER THE JAW RECEPTACLES IN THE TPO DEVICE.

5. Attach the meter to the TPO and use a screw type locking/sealing ring to secure the meter to the TPO device.

WHEN USING LOCKING/SEALING RING (screw lock is required) BE SURE IT IS INSTALLED IN THE PROPER DIRECTION AND SNUG.



RINGLESS STYLE 200 AMP INSTALLATION

FOR USE WITH 2S METER SOCKETS ONLY

DANGER, THERE IS LETHAL VOLTAGE INSIDE THE METER-CAN EVEN WITH THE METER REMOVED!!!!

1. While wearing appropriate PPE, remove the meter-socket cover as well as the meter and inspect the neutral/ground bond inside the meter-socket. Correct any problems before proceeding. Good grounding is important.
2. This unit is provided with a neutral/ground wire (white) that is equipped with a sliding connector for easier and safer installation. Disconnect the sliding connector and attach the loose wire to the neutral/ground bond inside the meter-socket.

ENSURE THAT THE WHITE NEUTRAL/GROUND WIRE DOES NOT MAKE CONTACT WITH EITHER LEG OF SERVICE.

NEUTRAL/GROUND WIRE SHOULD BE ATTACHED SO THAT IT WILL LOOP DOWN IN THE METER-SOCKET.

3. The neutral/ground wire inside the meter socket must be threaded through the Ring to Ringless Adapter (sold separately - Part# MSA-LP-02S-01/GRD/KEY). Then, insert the Ringless to Ring Adapter into the meter socket and reinstall the meter-socket cover. **(It is recommended that a service cutoff cap (plastic disconnect cover) be installed over the face of the adapter as a precaution during the insertion of the adapter into the socket.)**

4. Re-connect the neutral/ground wire from the meter socket to the TPO device first. Then, insert the TPO into the Ringless to Ring Adapter and use a locking/sealing ring to secure the TPO device to the adapter.

NEVER PRY OPEN, GREASE OR ALTER THE JAW RECEPTACLES IN THE TPO DEVICE.

5. Attach the meter to the TPO and use a screw type locking/sealing ring to secure the meter to the TPO device.

WHEN USING LOCKING/SEALING RING (screw lock is required) BE SURE IT IS INSTALLED IN THE PROPER DIRECTION AND SNUG.

