

Single vs. Dual Cavity

Single vs. Dual Cavity

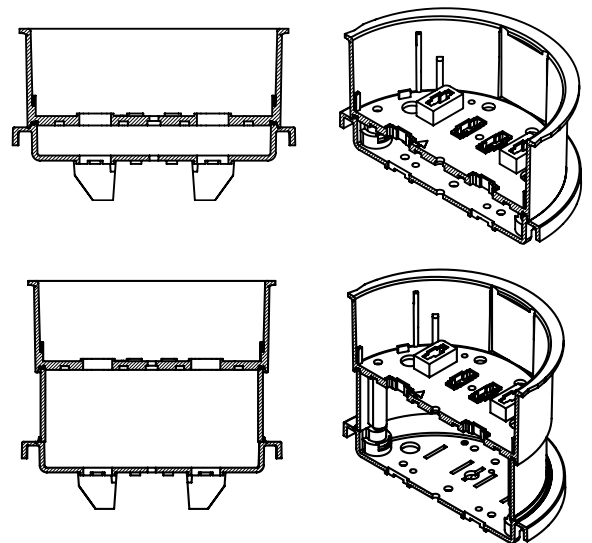
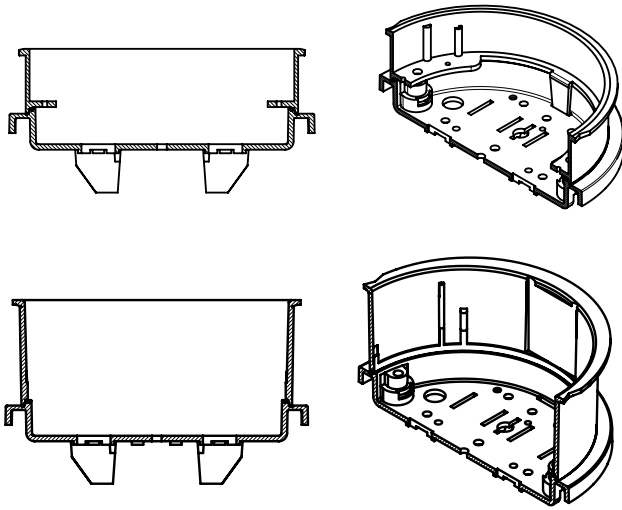
Single Cavity: Housing or enclosure with a single hollow space.

Dual Cavity: Housing or enclosure with two hollow areas available for use.

See Pages 44 - 45 for more diagrams and information

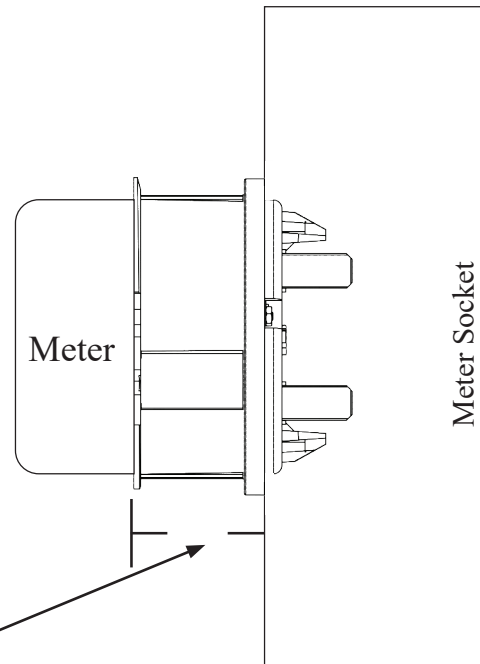
Single Cavity

Dual Cavity



Stand-out

Stand-out: The distance the housing or device extends outward beyond the face of the meter socket when installed.



Stand-out height