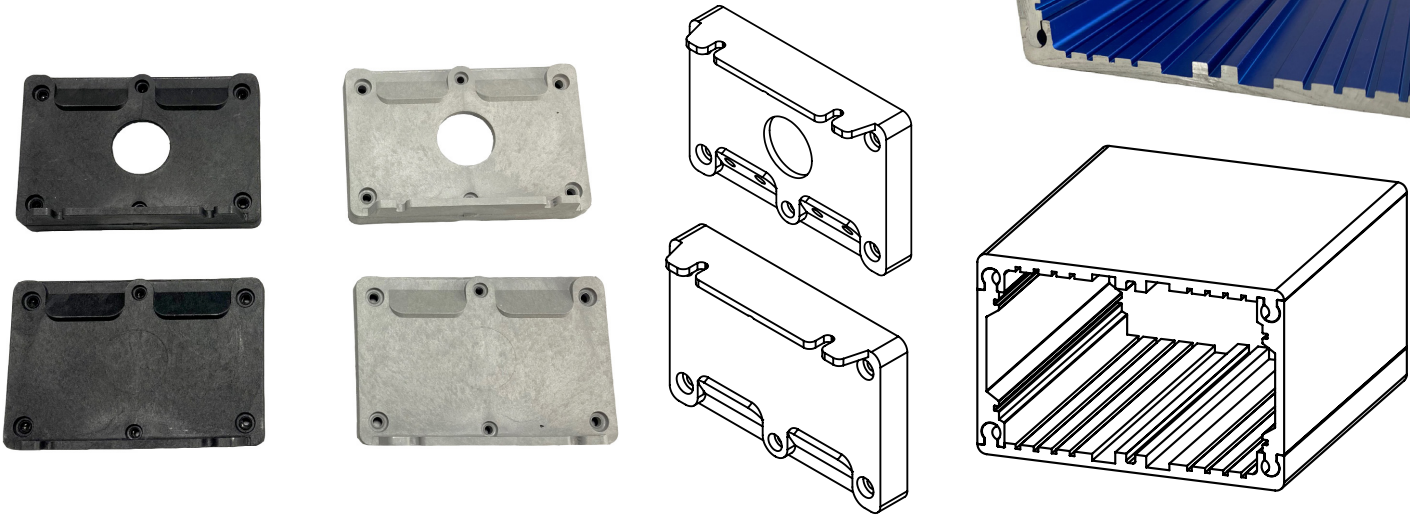
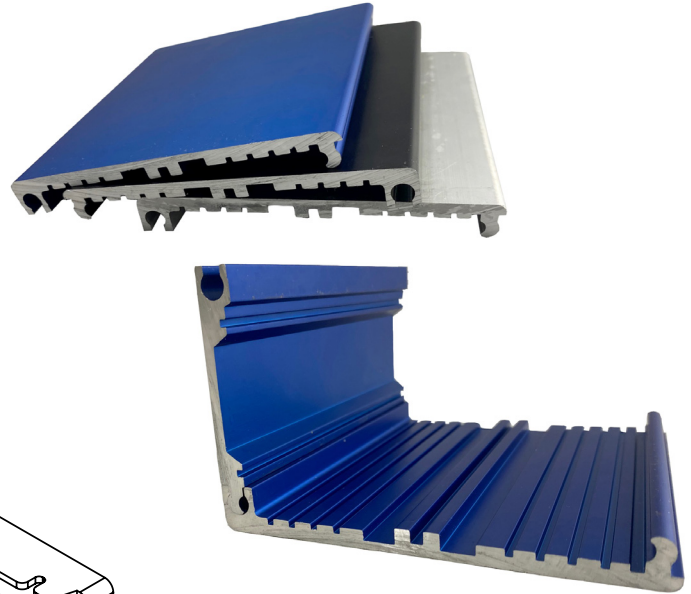


Also Available As OEM Products

Specification & Features

6063-T6 #1 Mill Finish Alluminum
Meets NEMA Requirements 1, 2, 3, 3S, 4, 4X, 5, 12 & 13
Circuit Board Slots, "T" Slots
Zytel, UL 945VA End Caps
LED Mounting Holes on End Caps (Max. 4 LED's)
3/4" End Cap Conduit Opening
Anodized (Black or Blue) or Mill Finished
Din Rail Mounting Kit



The AE Products Extruded Housings are 4 panel interlocking aluminum box with end caps.

Model Number Configuration

EXE - **00** / **03** - _____

Box Finish

- 00 - Mill Finish
- 02 - Black Anodized
- 03 - Blue Anodized

Options (Multiple options allowed)

Aluminum Length

- 01 - 1"
- 02 - 2"
- Min 1", Max 72"

End Caps

- EC - End Caps
- ECB - End Cap Black
- ECG - End Cap Gray
- ECM - End Cap Metal

LED Mounting Holes in End Caps

- L1 - One LED Hole
- L2 - Two LED Holes
- L3 - Three LED Holes
- L4 - Four LED Holes

Din Rail Mounting Kit

- DR - Din Rail Mount

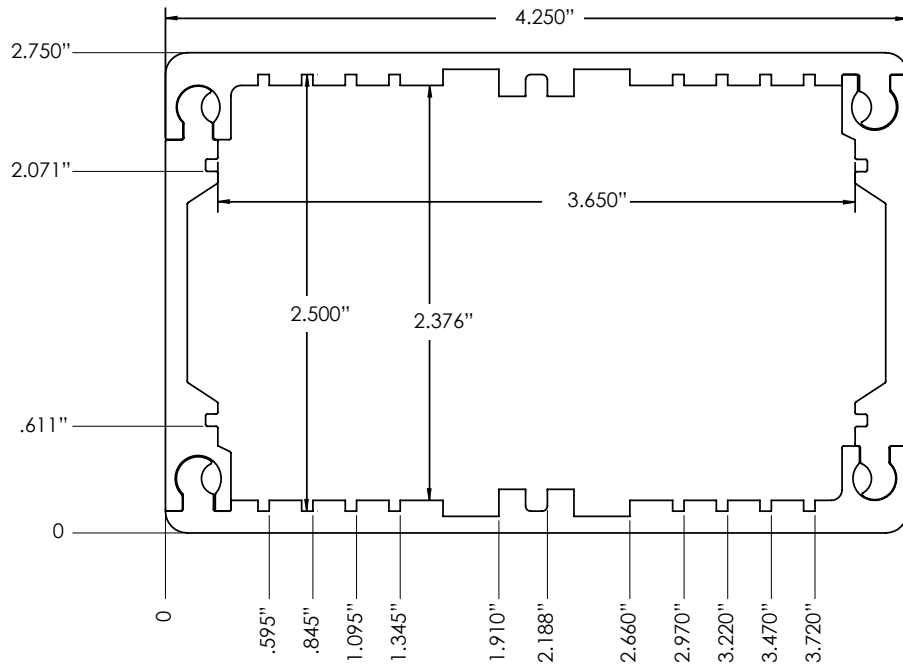
3/4" Conduit Opening

- CN - Single Conduit Opening

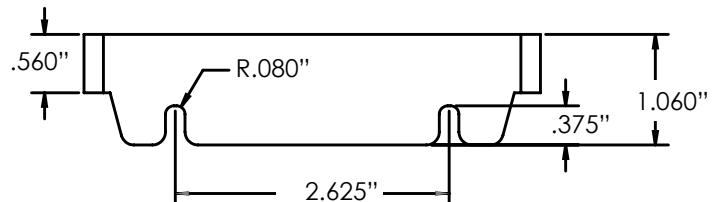
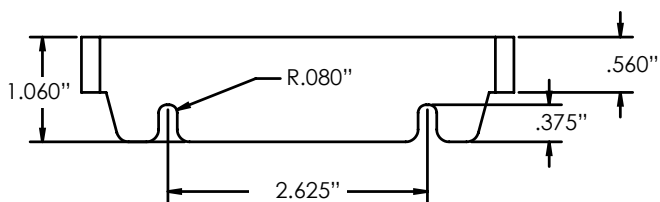
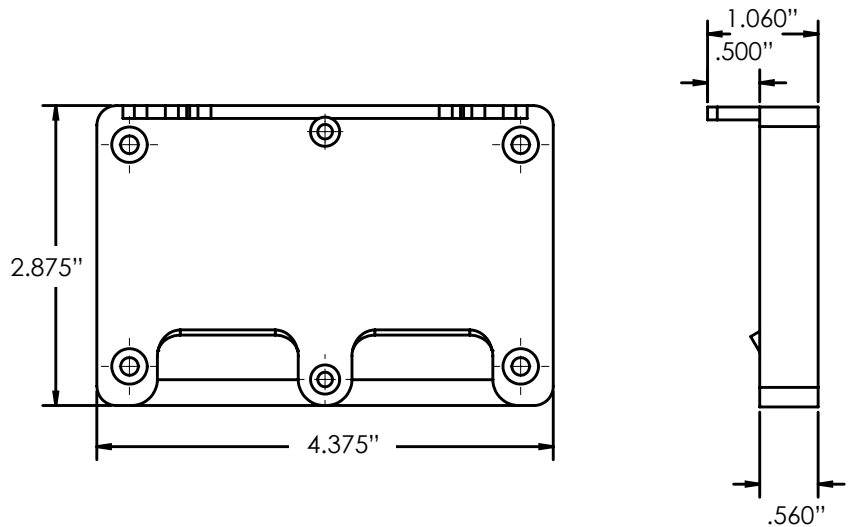
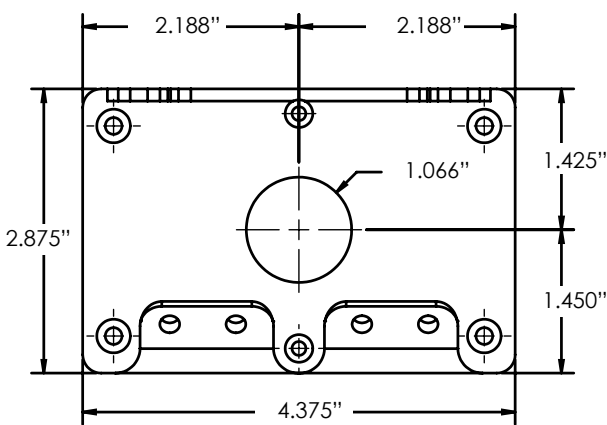
Note: You may add additional options as needed by extending the model number.

Also Available As OEM Products

Enclosure Dimensions



End Cap Dimensions



(Diagrams are not to scale)