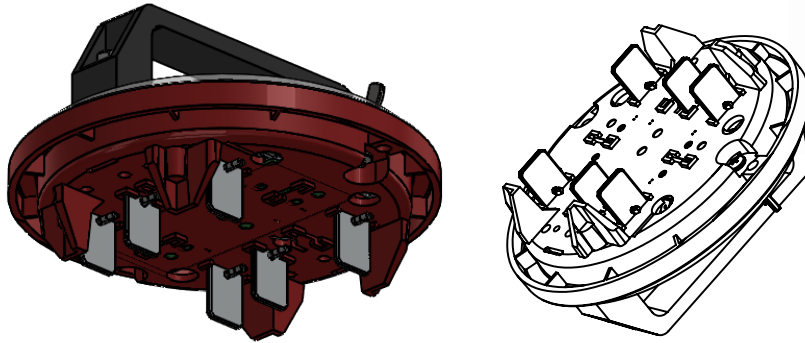


Polyphase Socket Tester

Also Available As OEM Products

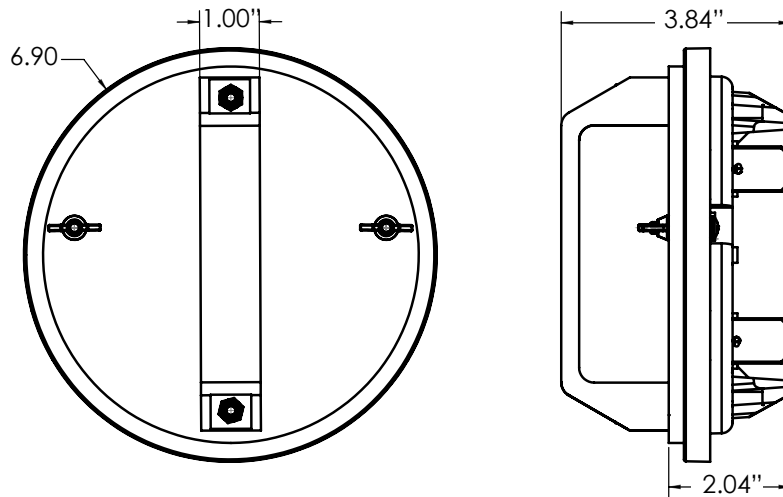
Specification & Features

277/480 Volt *
UV Stabilized Plastic
Flame Rating: 5VA/V-0 (Grey), HB (colors)
Polycarbonate (Fiberglass Reinforced Grey)
Sturdy Handle for Easy Installation & Removal
6 Jaw Design - 15S & 16S Meter Forms
2 Spare Fuses Provided Inside Device



The AE Products Polyphase Socket Tester detects short circuits, backfeed and wiring errors in a 277/480 Volt socket. This unit is equipped with high intensity power and fault lights to show whether or not the meter is safe to set. It comes with a heavy duty handle for quick and easy installation.

Dimensions



(Diagrams are not to scale)

Model Number	Description
AES-277-08/01	Polyphase Socket Tester comes standard with red base and gray handle

Other color options available for base and handle. Contact factory for inquiries.

*See also Single Phase Socket Tester and Polyphase 600 Socket Tester for additional voltages.